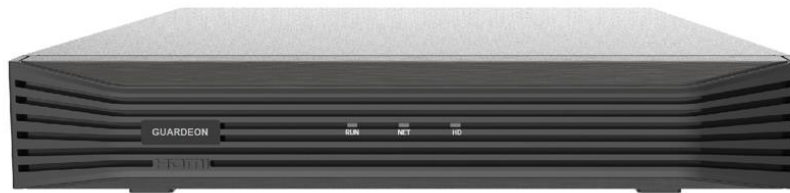


AI Network Video Recorder POE ECO serie

GNVR-E404P 4 POE (4 ch.) varenr.: 34100

GNVR-E808P 8 POE (8 ch.) varenr.: 34110



Features

- ✓ 4 ch. (E404P) / 8 ch. (E808P) input Plug / Play PoE network interfaces
- ✓ Support 1 pcs. SATA HDD
- ✓ Support Ultra H.265 / H.265 / H.264 video formats
- ✓ Supports ONVIF conformance (**Profile S, Profile G, Profile T**) and **RTSP** protocols.
- ✓ Support 1-ch HDMI, 1-ch VGA. HDMI up to 4K (3840x2160) resolution
- ✓ Support HDMI and VGA independent monitor outputs.
- ✓ Up to 16 Megapixels resolution recording
- ✓ ANR technology to enhance the storage reliability when the network is disconnected.
- ✓ Support cloud upgrade (FW & features)

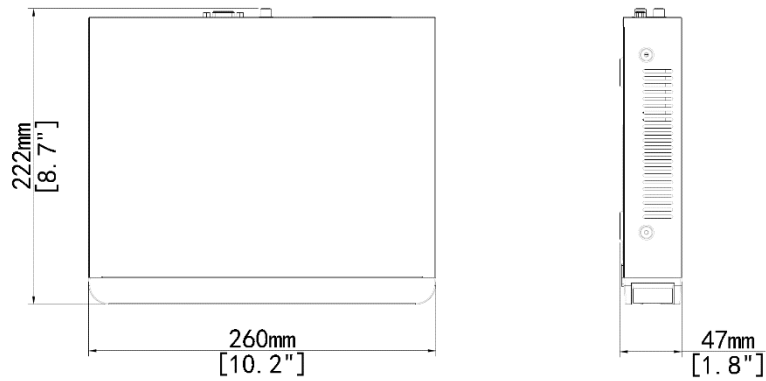
Specifications

Decoding	Description
Decoding Format	Ultra 265,H.265,H.264
Decoding Capability	<p>GNVR-E404P: Ultra 265/H.265: 2 x 16MP@30, 2 x 12MP@30, 4 x 4K@30 H.264: 2 x 16MP(4800*2688)@30, 2 x 12MP@30, 2 x 4K@30, 4 x 5MP@30</p> <p>GNVR-E808P: Ultra 265/H.265: 2 x 16MP@30, 2 x 12MP@30, 4 x 4K@30, 6 x 5MP@30, 8 x 4MP@30 H.264: 2 x 16MP(4800*2688)@30, 2 x 12MP@30, 2 x 4K@30, 4 x 5MP@30, 6 x 4MP@30, 8 x 3MP@30</p>
Audio Compression	G.711A,G.711U

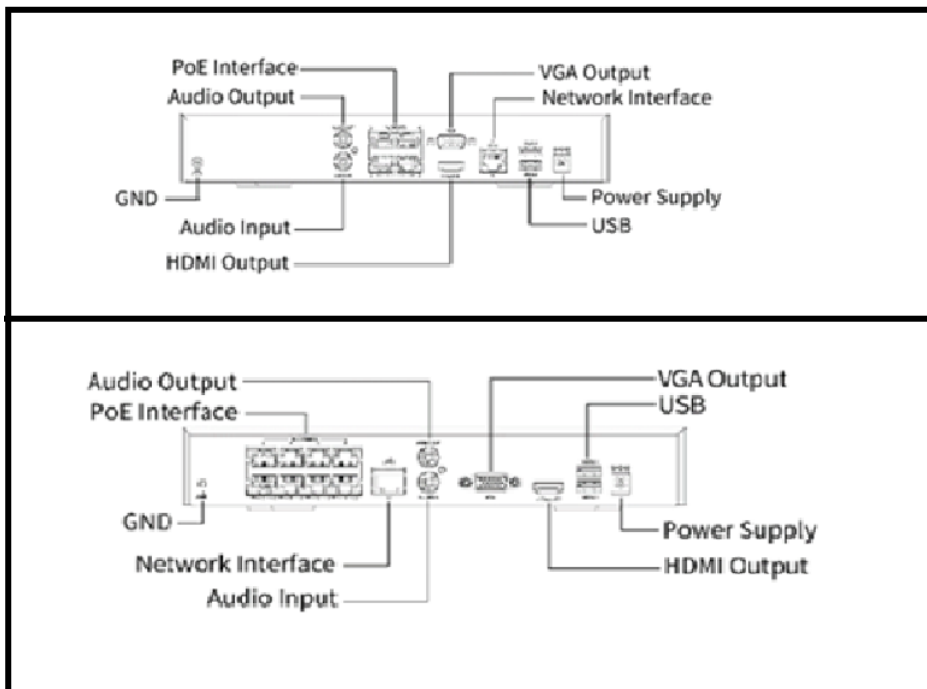
Network	Description
Incoming Bandwidth	80Mbps
Outgoing Bandwidth	64Mbps
Remote Users	128
Protocols	TCP/IP;P2P;UPnP;NTP;DHCP;PPPoE;HTTP;HTTPS;DNS;DDNS;SNMP;SMTP;RTSP;IP v6
Browser(Plugin)	Windows:IE(IE10/11),Firefox (version 52.0 and above),Chrome(version 45 and above),Edge(version 79 and above)
Video/Audio Input	Description
IP Video Input	GNVR-E404P: 4-ch GNVR-E808P: 8-ch
RCA Audio Input	1-ch
Video/Audio Output	Description
HDMI Output	HDMI:4K(3840x2160)/30Hz, 1920x1080/60Hz, 1920x1080/50Hz, 1600x1200/60Hz, 1280x1024/60Hz, 1280x720/60Hz, 1024x768/60Hz
VGA Output	VGA:1920x1080/60Hz, 1920x1080/50Hz, 1600x1200/60Hz, 1280x1024/60Hz, 1280x720/60Hz, 1024x768/60Hz
RCA Audio Output	1-ch
Liveview Display	GNVR-E404P 1/4 GNVR-E808P :1/4/6/8/9
Corridor Mode Screen	GNVR-E404P :3/4 GNVR-E808P :3/4/5/7/9
Two-way Audio	Description
Two-way Audio	1-ch,RCA(Using the audio input and output)
Snapshot	Description
FTP/Schedule/Event Snapshot	4-ch snapshot,up to D1 resolution
Recording	Description
Recording Resolution	16MP/12MP/8MP/6MP/5MP/4MP/3MP/1080P/960P/720P/D1/2CIF/CIF
Smart	Description
VCA Detection by IPC Camera	Face Detection;SIP(Intrusion Detection,Cross Line Detection,Enter Area,Leave Area);Ultra Motion Detection(UMD);People Counting(People Flow Counting,Crowd Density Monitoring)
VCA Search	Motor Vehicle Search;Non-Motor Vehicle Search;Human Body Search;General Search;People Counting Report
Smart by IPC	GNVR-E404P :Total 4-ch(Face Detection,SIP,UMD) GNVR-E808P :Total 8-ch(Face Detection,SIP,UMD)
Alarm	Description
General Alarm	Defocus Detection;Scene Change Detection;Object Left Behind;Object Removed;Auto Tracking;Motion Detection;Tampering;Human Body Detection;Video Loss;Alarm Input;Audio Detection
Alert Alarm	IP Conflict;Network Disconnected;Disk Offline;Disk Abnormal;Illegal Access;Hard Disk Space Low;Hard Disk Full;Recording/Snapshot Abnormal
GUI Language	Description

GUI Language	Languages: English, Danish, Swedish, Norwegian, Finnish,
Hard Disk	Description
SATA	1 SATA Interface HDD
Capacity	Up to 16TB for each HDD (The maximum HDD capacity varies with environment temperature and hard disk size)
External Interface	Description
Network Interface	1 RJ45 10M/100M self-adaptive Ethernet Interface
USB	Rear panel: 1 x USB2.0,1 x USB3.0
RS485	N/A
RS232	N/A
Alarm In	N/A
Alarm Out	N/A
Power Supply	GNVR-E404P :DC 48V/1.35A GNVR-E808P :DC 52V/1.8A
PoE	Description
Interface	GNVR-E404P : 4 pcs. RJ45 10M/100M self-adaptive Ethernet Interface GNVR-E808P :8 pcs. RJ45 10M/100M self-adaptive Ethernet Interface
Max POE Power	GNVR-E404P : 4 POE Max 30W for single port, Max 50W in total GNVR-E808P : 8 POE Max 30W for single port, Max 75W in total
Supported Standard	IEEE 802.3at, IEEE 802.3af
Working Environment	Description
Working Temperature	-10° C ~ +55° C (+14° F ~ +131° F)
Working Humidity	≤ 90% RH (non-condensing)
Power Consumption (without HDD) silent NVR	≤ 10W
Dimensions	Description
Weight (without HDD)	≤ 1.1Kg (2.43lb)
Dimensions	260mm × 222mm × 47mm (10.2"×8.7"×1.8")
Certification	Description
Certification	CE,FCC,UL,RoHS,WEEE
CE	EN 55032, EN 61000-3-3,EN IEC 61000-3-2,EN 55035
FCC	Part15 Subpart B

Dimensions



Rear Panel 4 POE and 8 POE :



*Product specifications and availability are subject to change without notice.

*Despite our best efforts, technical or typographical errors may exist in this document. Guardeon cannot be held responsible for any such errors and reserves the right to change the contents of this document without prior notice.

